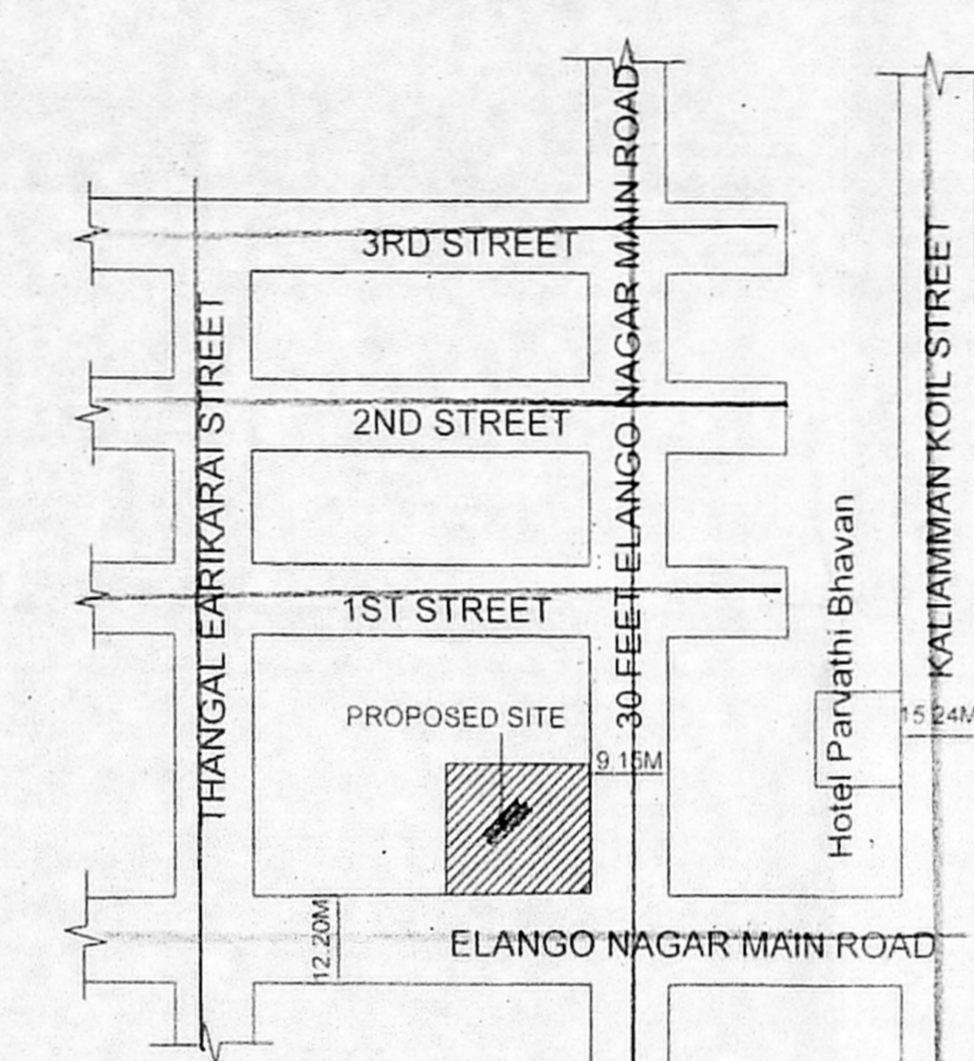
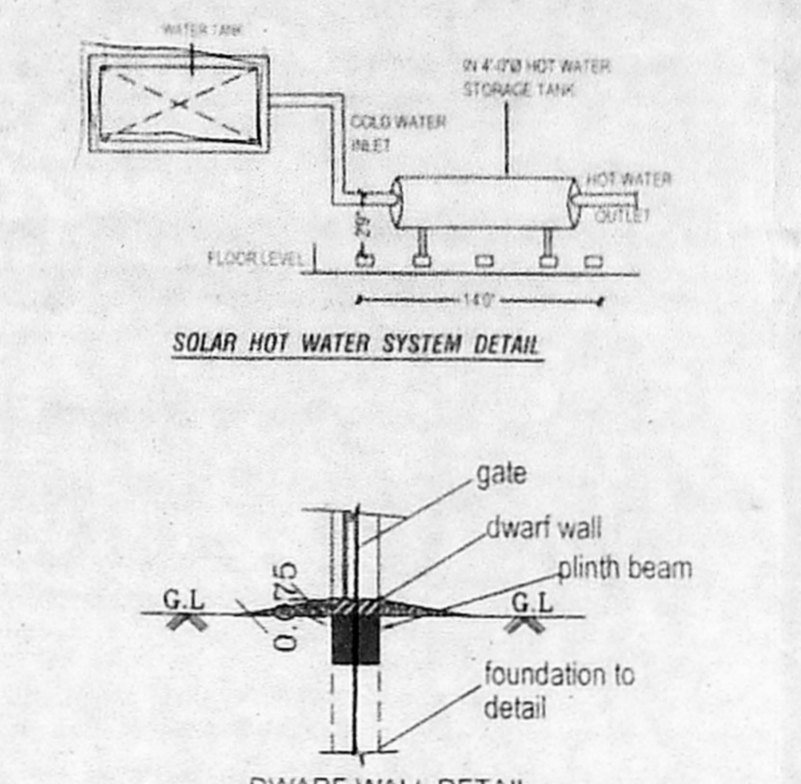
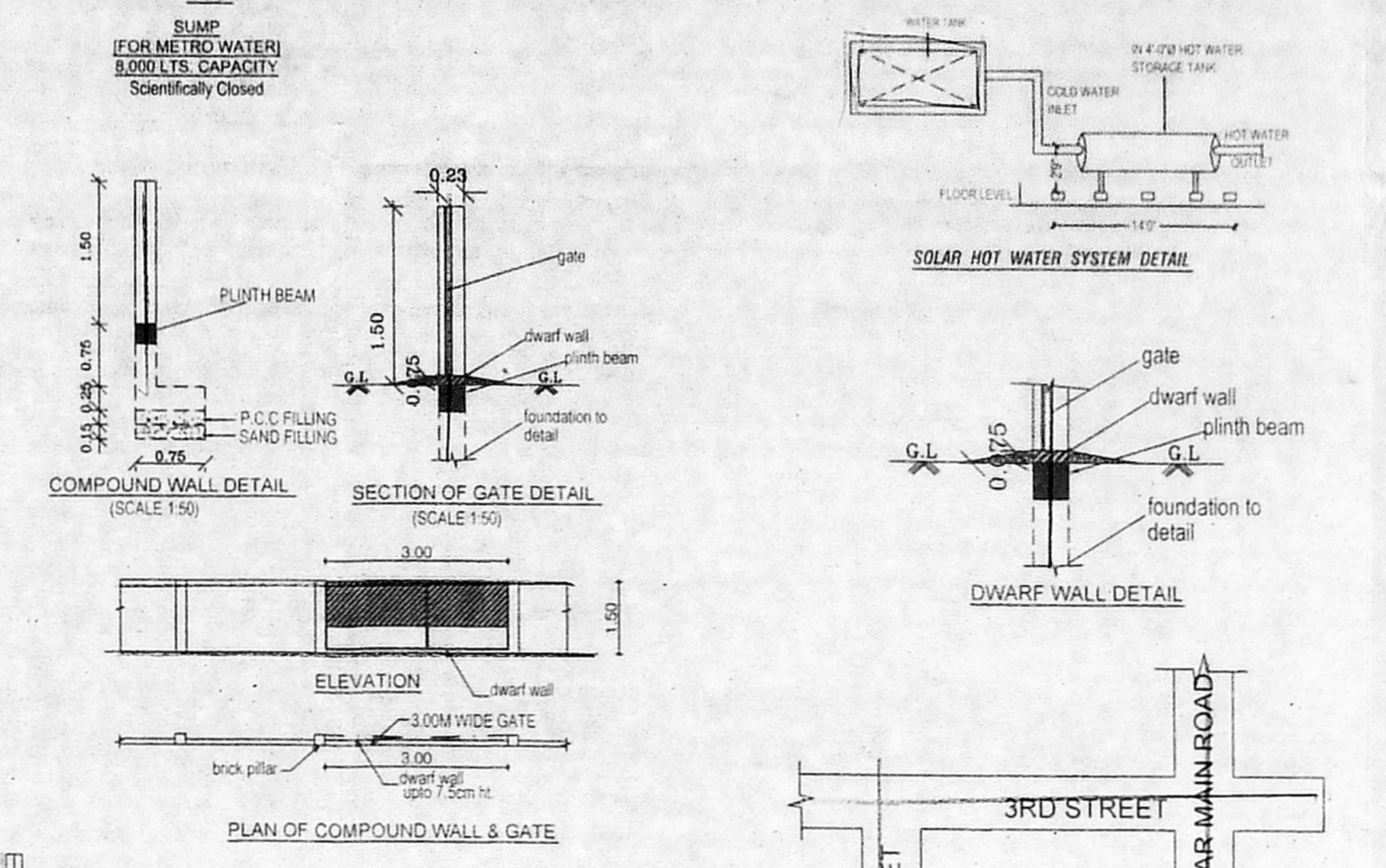
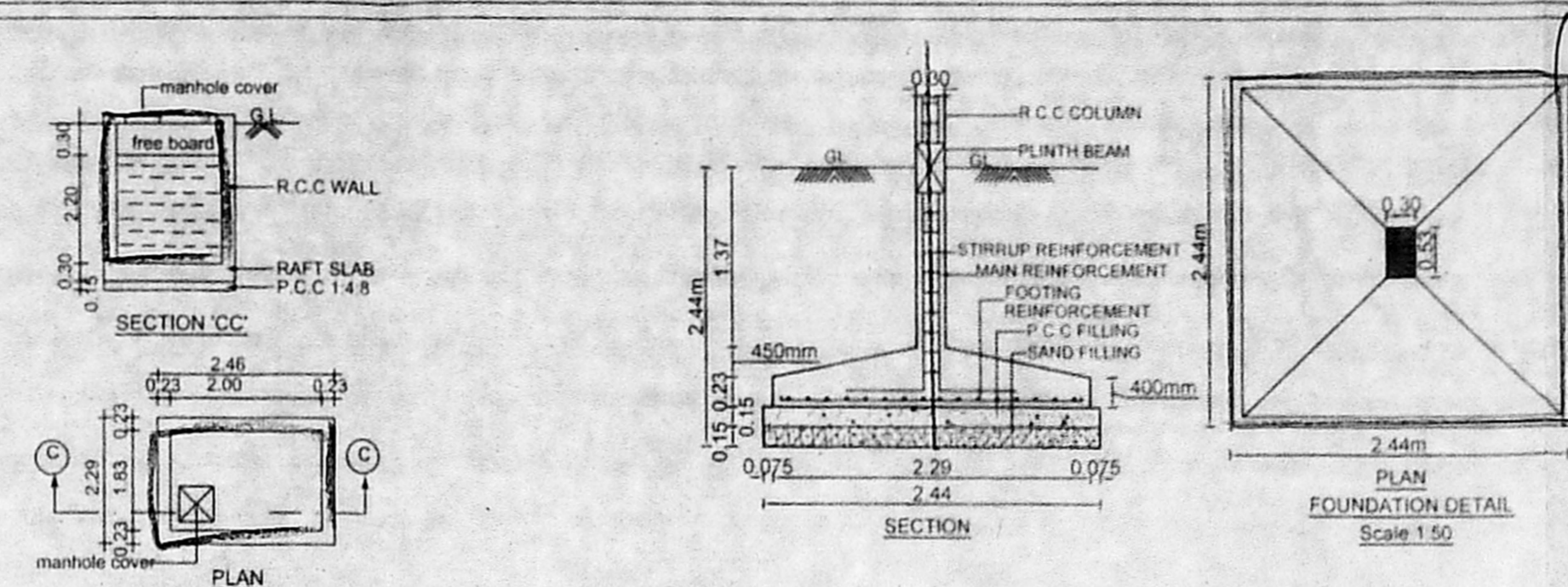
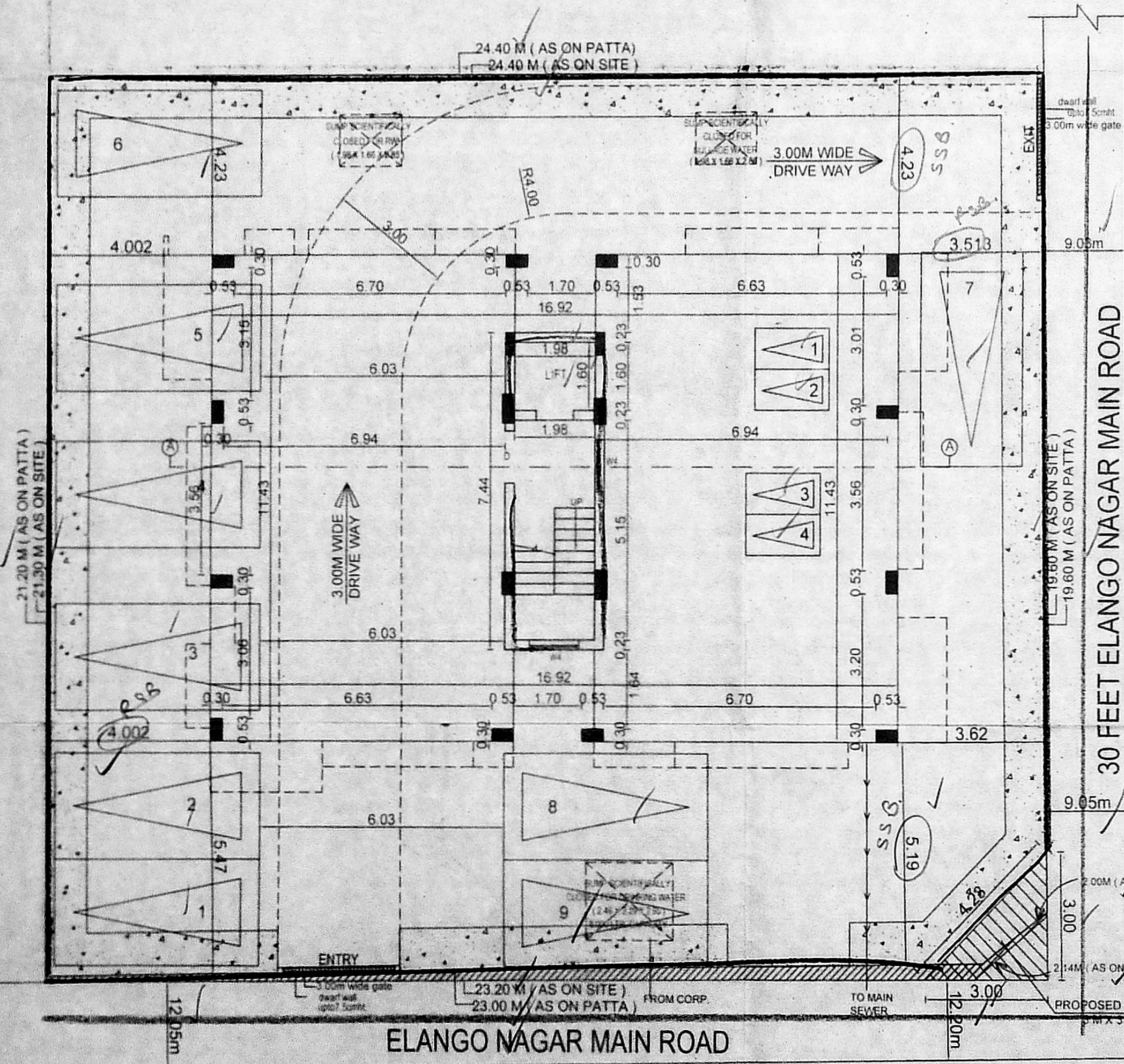


FRONT ELEVATION

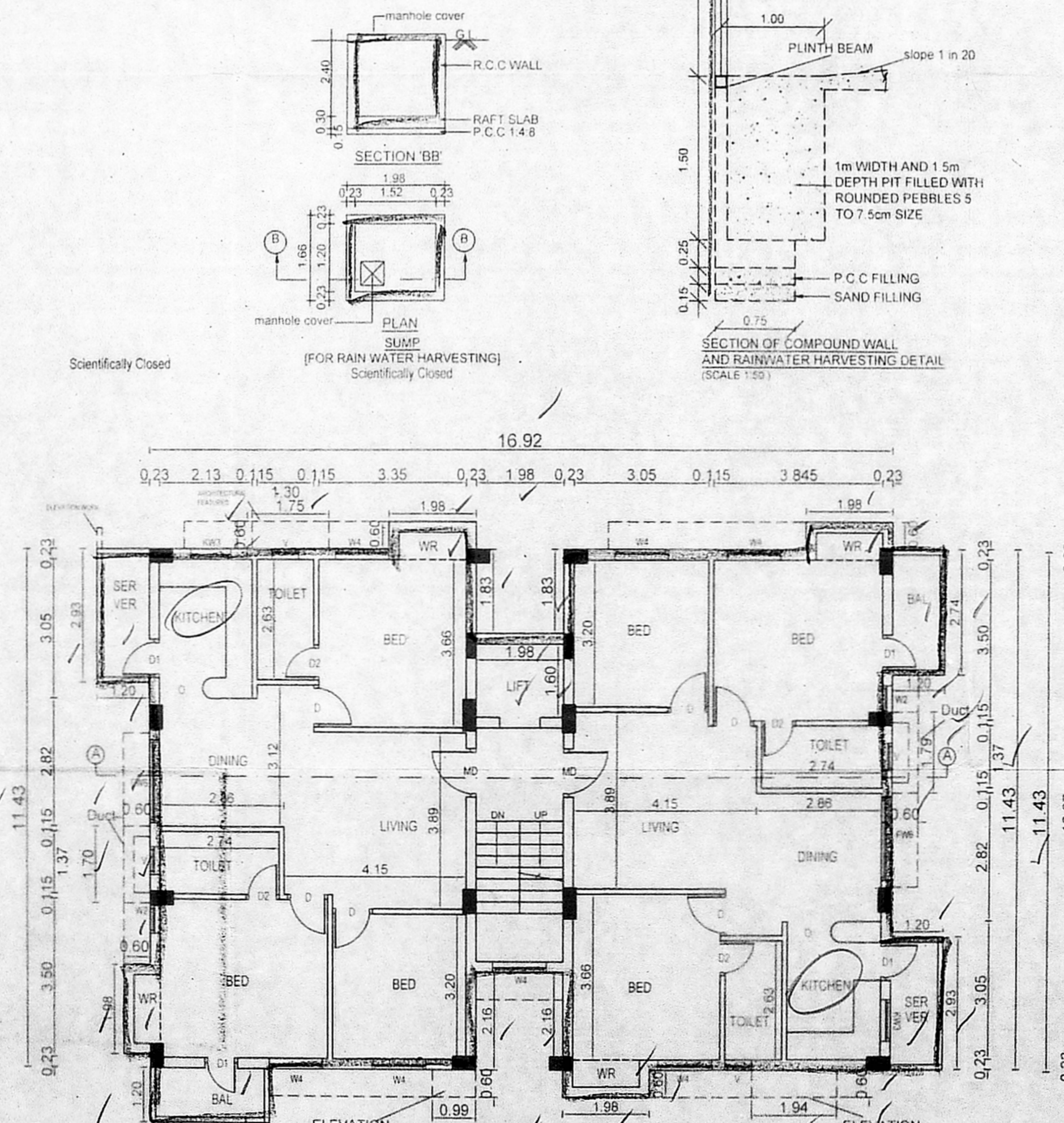
SECTION A-A



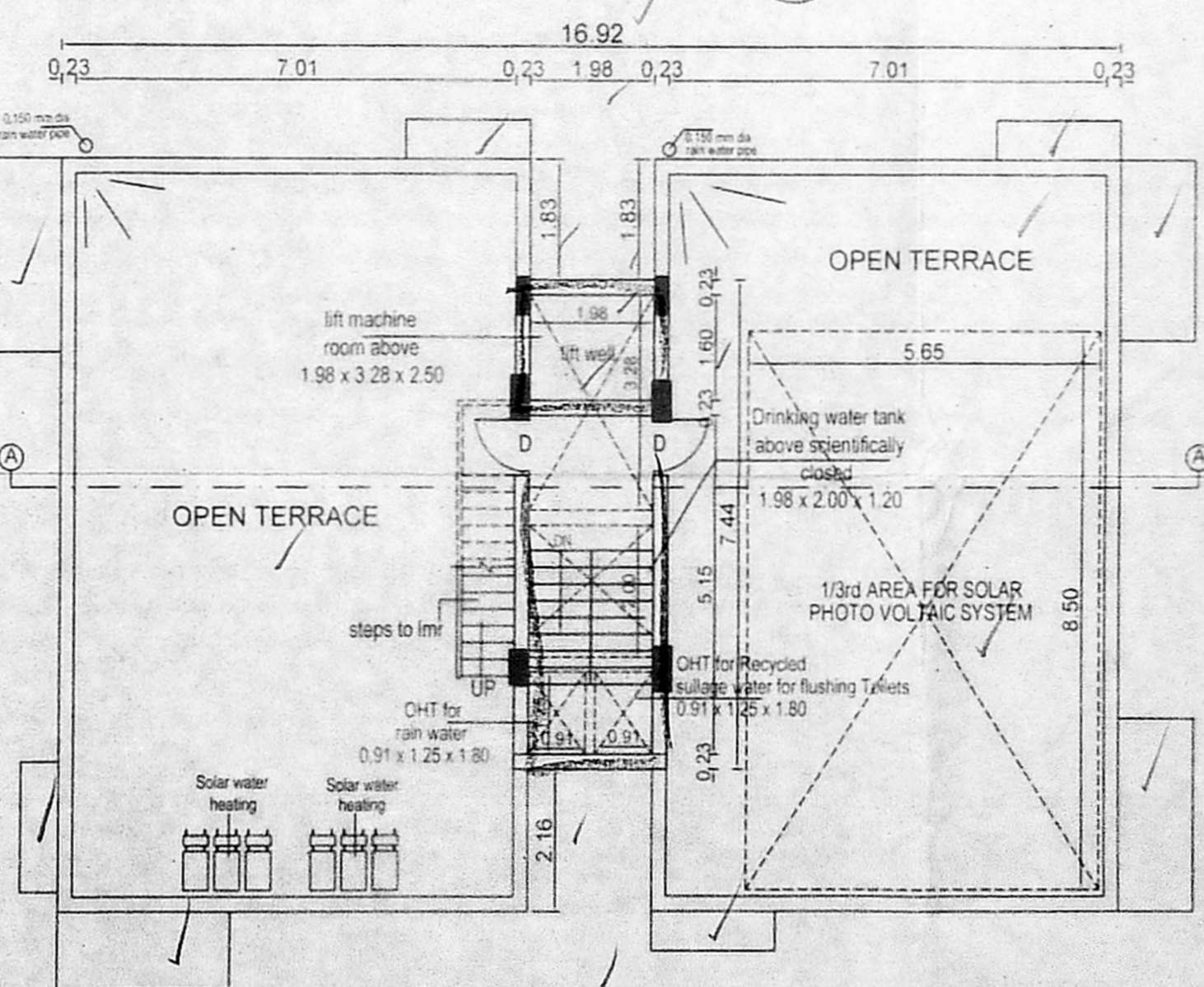
KEY PLAN NOT TO SCALE



SITE CUM ST/IT FLOOR PLAN



TYPICAL FLOOR PLAN - I, II, III & IV



TERRACE FLOOR PLAN

SCHEDULE OF WORKS

TYPE	DESCRIPTION	SIZE
MD	MAIN DOOR	1.07 x 2.13
D	DOOR	0.91 x 2.13
	செயல்படுத்தப்பட்டது	0.77 x 2.13
	நெடுவரை	0.75 x 2.13
	உலையாணி	1.83 x 2.13
	காந்தாய்	1.83 x 1.52
	கிணர்	0.50 x 1.52
	கிணர்	1.22 x 1.52
KW	KITCHEN WINDOW	0.91 x 0.91
V	VENTILATOR	0.80 x 0.80

- SPECIFICATIONS :
- R.C.C FOOTING & COLUMN IN CONCRETE M25
  - SUPER STRUCTURE BRICKWORK SET IN cm 1:5
  - R.C.C M25 FOR LINTEL BEAMS & SLABS
  - P.C.C 1:4:8 FOR FLOOR LEVELING COURSE
  - P.C.C 1:5:10 IN BASEMENT FOR FOUNDATION
  - JOINERY WITH T.W FLUSH DOORS & T.W GLAZED WINDOWS & VENTILATORS
  - 3 COATS OF CEMENT PAINT TO INSIDE & OUT SIDE WALLS
  - 2 COATS OF ENAMEL PAINTS OVER ONE COAT OF PRIMER FOR JOINERY, GRILL WORK ETC
  - WEATHERING COURSE OVER ROOF SLAB 3" THICK WITH BRICK JELLY LIME CONCRETE AND ONE LAYER OF PRESSED TILES ON TOP

AREA STATEMENTS

	Sq.M
PLOT AREA (AS PER DOC)	520.25
PLOT AREA (AS PER PATTA)	513.00
PLOT AREA (SUPER IMPOSED)	513.00

	NON - F.S.I AREA	F.S.I AREA
FIRST FLOOR AREA	9.46	191.29
SECOND FLOOR AREA	9.46	191.29
THIRD FLOOR AREA	9.46	191.29
FOURTH FLOOR AREA	9.46	191.29
TOTAL AREA	37.84	765.16

F.S.I - 1.492

PLAN SHOWING THE PROPOSED CONSTRUCTION OF RESIDENTIAL BUILDING AT PLOT NO:51 & 52, ELANGONAGAR MAIN ROAD, VIRUGAMBAKKAM, CHENNAI - 600092. OLD S.NO: 143/2B1 & 143/2B1A PART, T.S.NO: 73 & 74, BLOCK NO: 5 OF VIRUGAMBAKKAM VILLAGE, MAMBALAM TALUK, GREATER CHENNAI CORPORATION, ZONE X, DIVISION- 128.

SCALE: 1:100 DATE: 24.03.2017  
 JOB NO: 17 DRAWY: M.Mahalingam  
 COLOUR INDEX

PROPOSED ROAD  
 BOUNDARY  
 SEWER LINE

For INDIA BUILDERS (CHENNAI) LTD.  
 APPLICANT'S SIGNATURE  
 LICENSED SURVEYOR

A. VIJAYALAKSHMI, B.Arch  
 Registered Architect  
 Council of Architecture, CA/2009 / 45361  
 No: No. 165/1, Anna Nagar, Agrabaram, Korattur, Chennai-76.